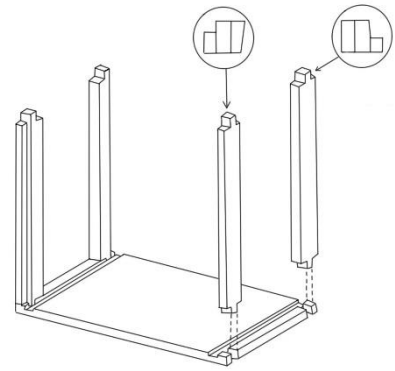
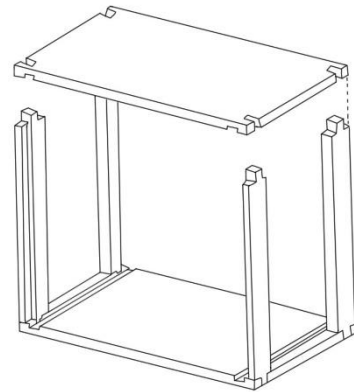


National Box Assembly

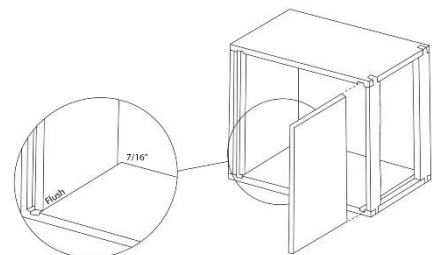
1. Lay side panel flat. Then insert top rail with cut outs facing in and up. Next, insert bottom rails with chamfer sloping down and outwards.



2. Place the second panel on the top once all locking bars are in place.



3. Slide the end boards into the grooves ensuring chamfered edge is towards top and slopes down and out. The top edge must be $7/16$ " below the top edge of the side panel.



4. Nail the side panels to the end boards using the nails provided. Nail the rails to the side panels as shown, then nail end boards.

